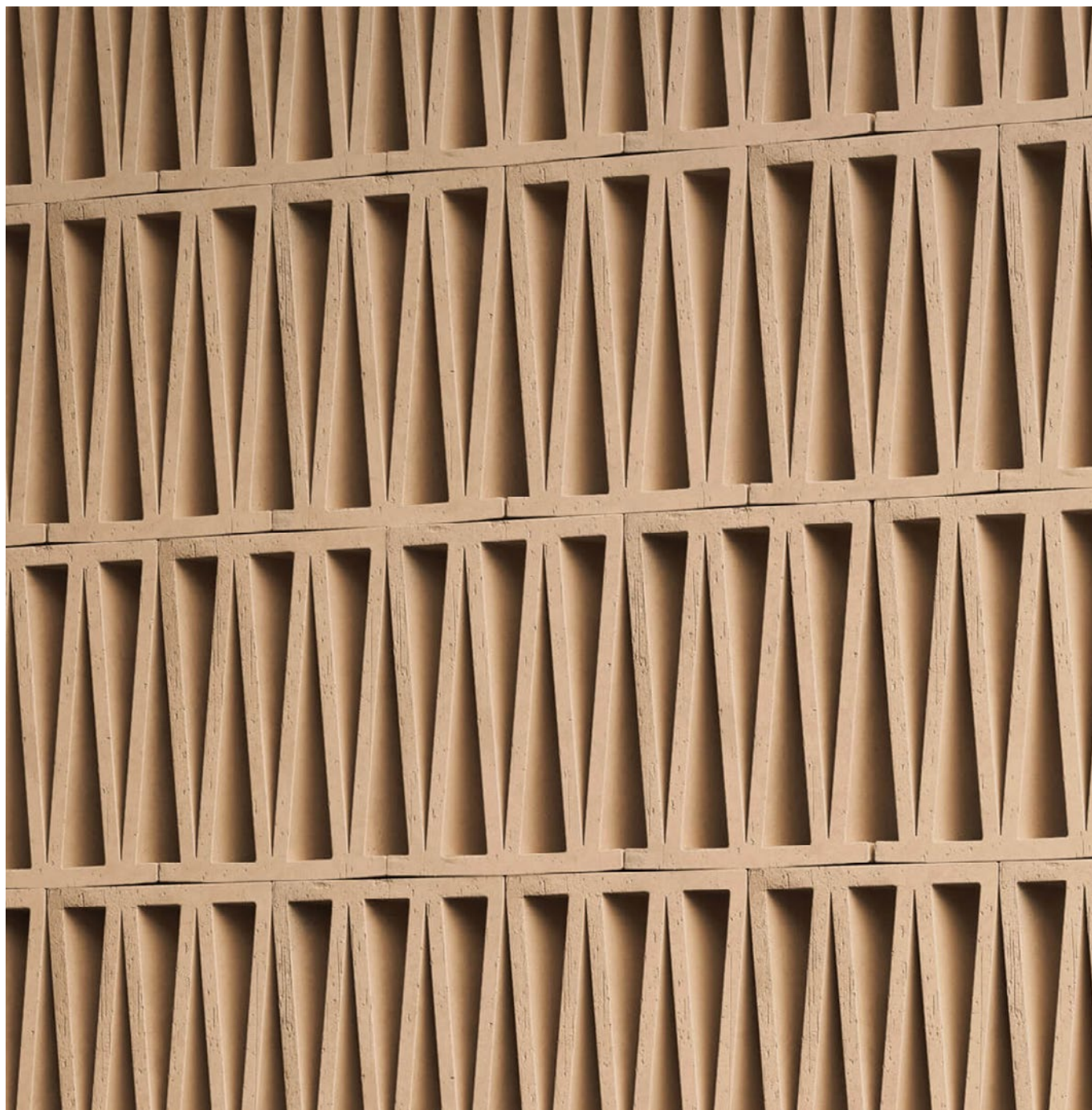
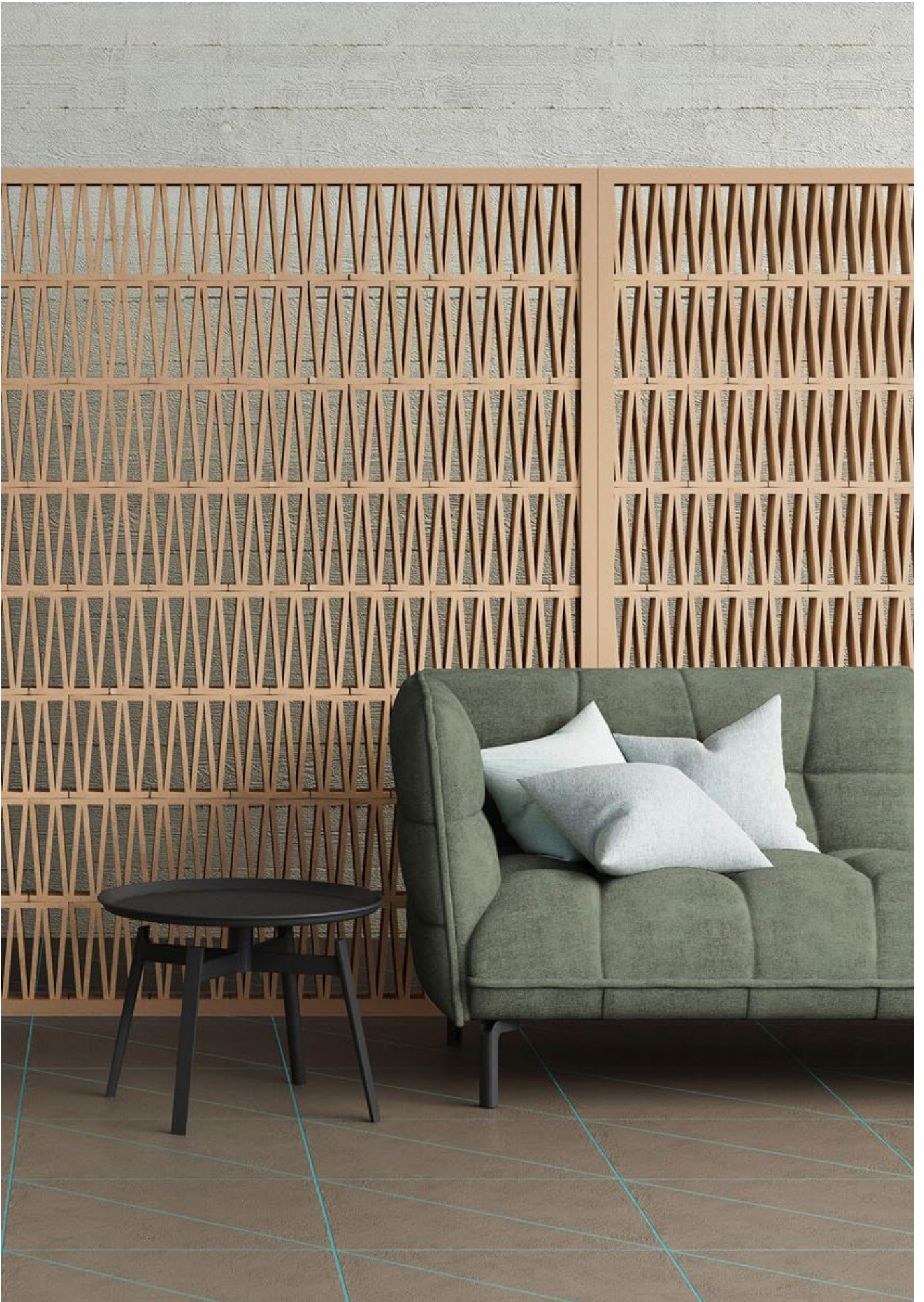


# Mutina

## Celosia

by Patricia Urquiola

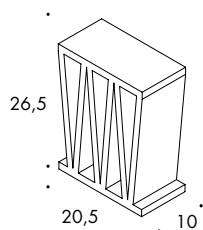




The data, information and indications contained in this technical data sheet and in the additional documents relating to the Celosia product by Patricia Urquiola are the exclusive property of Ceramiche MUTINA S.p.a. This technical data sheet provides the buyer with useful information on the correct installation and use of the product, and on the assessment and prevention of risks from its normal use.

## General information

collection	Celosia
design	Patricia Urquiola, 2018
production	Artisanal
material	Extruded terracotta
nominal sizes	20,5-26,5-10 cm (8"-10"-4")
specification	<ul style="list-style-type: none"> <li>- Artisanal extruded partition elements, 10cm thick.</li> <li>- This product is suitable for both residential and commercial spaces to construct walls with a maximum height of 4 metres. The buyer is not released from the obligation of checking the information received, and for making design and construction choices in compliance with good construction techniques and regulations, including local ones, in force at the time of use of the product and in the country of final destination. The NTC 2018 DECRETO MIN 27/01 regulation shall apply in Italy.</li> <li>- In order to achieve an optimal aesthetic outcome we advise to install Celosia using our wooden profile. The profile is painted and suitable for outdoor use. A top profile with removable sides is provided for ceiling fixing.</li> <li>- As complementary pieces Mutina provide the Mutina sealant, EC 1 plus for VOC emissions.</li> <li>- For installation process see the <a href="#">installation video</a> (psw: mutina)</li> <li>- The product is suitable for indoor and outdoor areas complying with UNI EN 772-22 marked "F1-moderate exposure".</li> </ul>
complementary pieces	Linear profile 300, top profile 300.
awards	Interior Design's Best of Year 2018 German Design Awards 2020
category	UNI 11128/2004

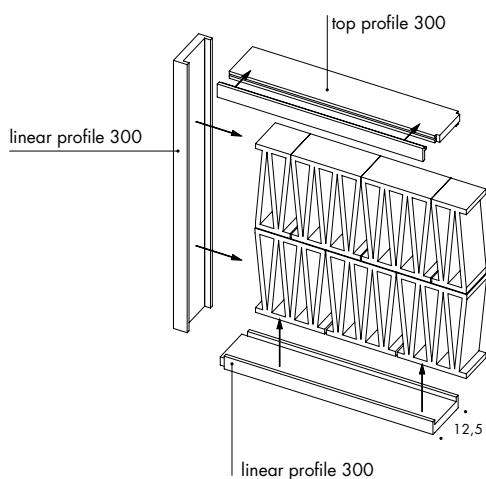


complementary pieces

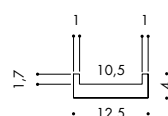
20,5-26,5-10 cm  
8"-10"-4"

Linear painted willow profile (also suitable for outdoor use).

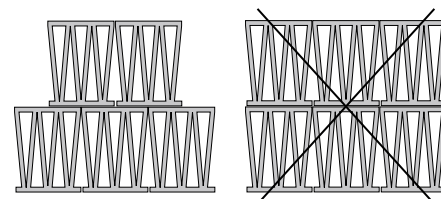
Top painted willow profile (also suitable for outdoor use) with one shaped end to make clamping easier.



section



To make the installation of these items easier, a Mutina sealant is now available: an organic and eco-friendly sealing material, which is sold separately.



For security reasons only staggered installation is strictly allowed.

wall anchoring scheme



Anchoring on 2 sides  
MAX h400 cm



Anchoring on 3 sides  
MAX h400x300 cm



Anchoring on 2 sides  
MAX h250x100 cm

↓ Fisher long shaft fixing SXR 8x80

## Laying and maintenance tips

use	Wall – indoor, outdoor.
installation	For security reasons only staggered installation is strictly allowed. For installation process see the <a href="#">installation video</a> (psw: mutina)
reccommended adhesive	Mutina sealant: solvents-free, eco-friendly organic sealant
reccommended joints	–
reccommended fillers	–
cleaning at the end of installation	Avoid drippings during installation. If needed the excess can be removed after the product has dried, using a tool with a sharp edge.
general cleaning (installed tiles)	–
calibers (real size)	20,5 x 26,5 x 10 cm with 1-3 mm tolerance (artisanal product)