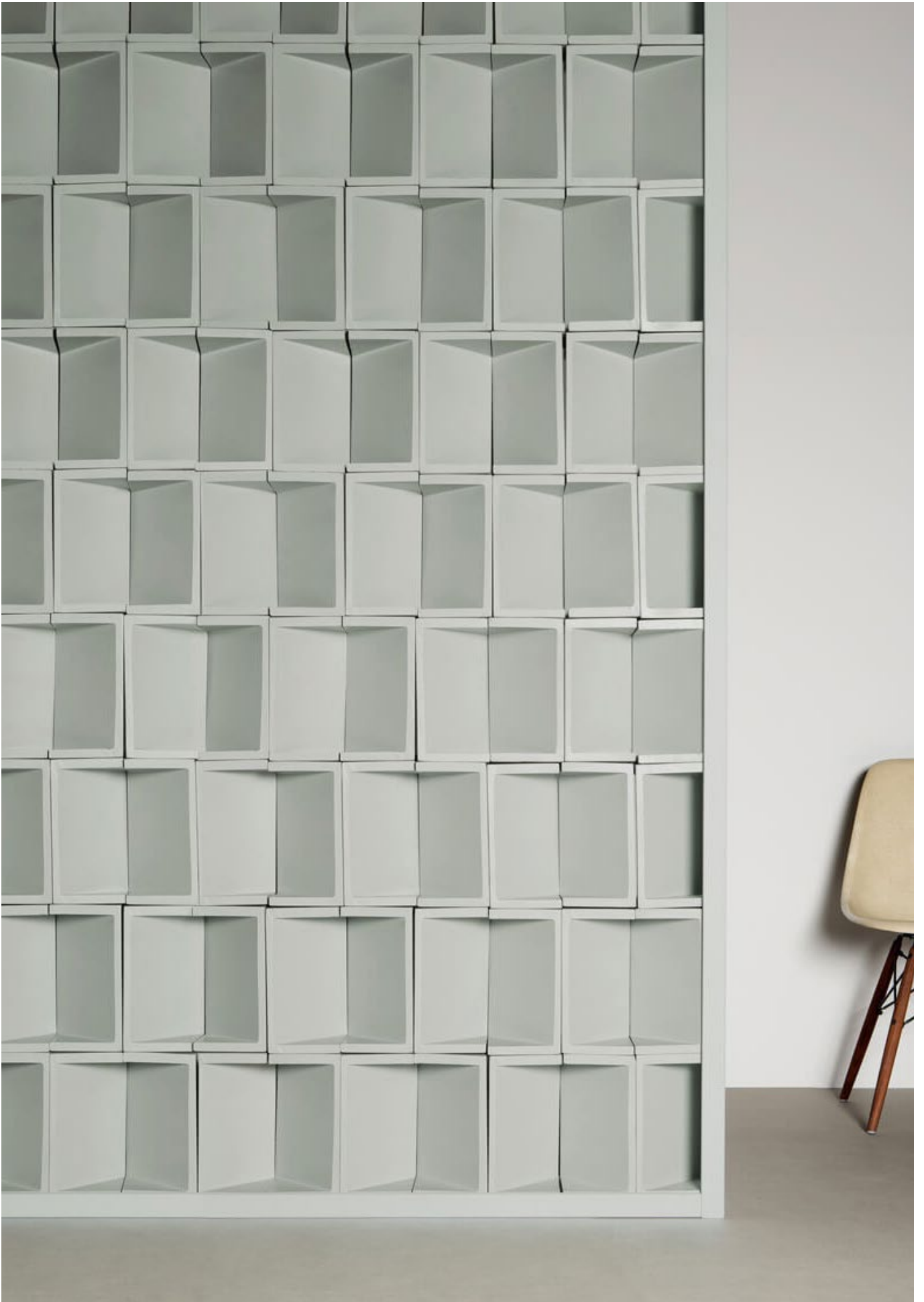


Mutina

Mistral

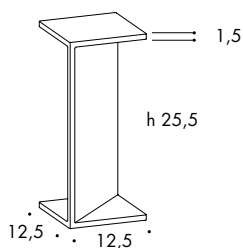
by Barber & Osgerby





General information

collection	Mistral
design	Barber & Osgerby, 2018
production	Artisanal
material	Tape casting terracotta
nominal sizes	12,5-25,5-12,5 cm (4"-10"-4")
specification	<ul style="list-style-type: none"> - 3 colors pieces: White, Owl, Black - Wooden profile in 3 matching colors - Non structural artisanal partition elements, in tape casting terracotta, 12,5 cm thick . - The particular shape of Mistral allows until 8 different installation possibilities, vertical and horizontal, open and close. These elements must in any case comply with the technical standards of construction regulation, applicable in the country where they are installed. For the Italian national territory, in particular, they should comply with standard NTC 2018 DECRETO MIN 27/01 . - The product is suitable for indoor and outdoor areas complying with UNI EN 772-22 marked "F2-extreme exposure". - Suitable for both residential and commercial areas, to be installed with painted willow profile with maximum surfaces of 2mt x 3mt or 3mt x 2mt. . - The profile is painted and suitable for outdoor use. A top profile with removable sides is provided for ceiling fixing.
complementary pieces	Linear profile 300, Top profile 300
category	-



12,5-25,5-12,5 cm
4"-10"-4"

colors



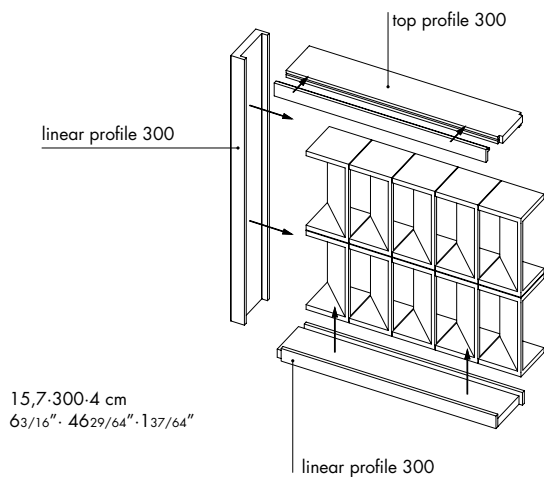
Black

Owl

White

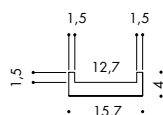
complementary pieces

Linear painted willow profile (also suitable for outdoor use).
Top painted willow profile (also suitable for outdoor use) with one shaped end to make clamping easier.



15,7-300-4 cm
63/16"-4629/64"-137/64"

section

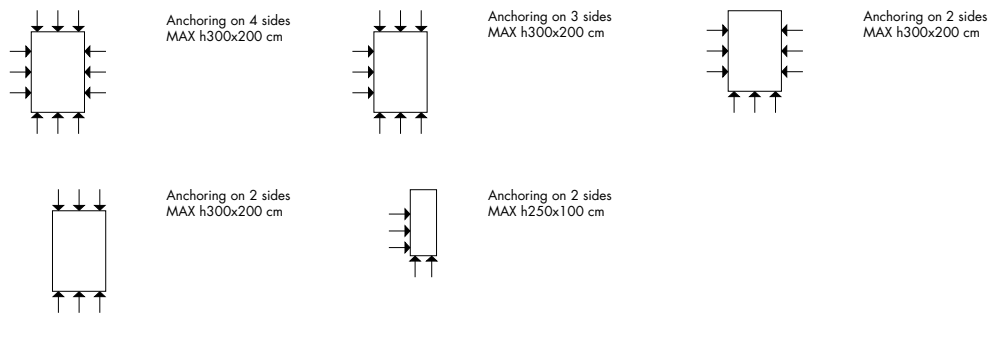


colors



To make the installation of these items easier, a Mutina sealant is now available: an organic and eco-friendly sealing material, which is sold separately.

wall anchoring scheme



Laying and maintenance tips

use	Wall – indoor, outdoor.
installation	For installation process see the installation video available on www.mutina.it
recommended adhesive	Mutina sealant: solvents-free, eco-friendly organic sealant
recommended joints	–
recommended fillers	–
cleaning at the end of installation	Avoid drippings during installation. If needed the excess can be removed after the product has dried using a tool with a sharp edge.
general cleaning (installed tiles)	–
calibers (real size)	12,5x25,5x12,5 cm with a tolerance of 2 mm (artisanal product)