

Wood

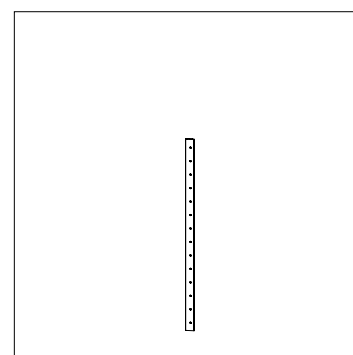
Accents Wood by OEO Studio



WALL PANEL 100
Light oak – 2 x 19,8 x 100 (H) cm



WALL PANEL 160
Light oak – 2 x 19,8 x 160 (H) cm



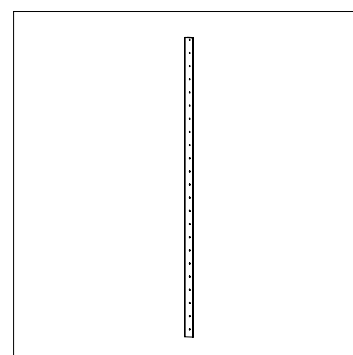
MOUNTING PIECE 100
Raw wood – 0,9 x 3,7 x 100 (H) cm



WALL PANEL 100
Dark oak – 2 x 19,8 x 100 (H) cm

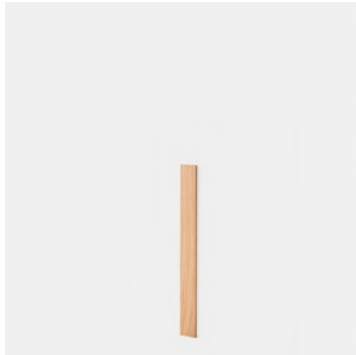


WALL PANEL 160
Dark oak – 2 x 19,8 x 160 (H) cm



MOUNTING PIECE 160
Raw wood – 0,9 x 3,7 x 160 (H) cm

Wood



WALL PANEL CORNER 100
Light oak – 1,5 x 10 x 100 (H) cm



WALL PANEL CORNER 160
Light oak – 1,5 x 10 x 160 (H) cm



WALL PANEL CORNER 100
Dark oak – 1,5 x 10 x 100 (H) cm



WALL PANEL CORNER 160
Dark oak – 1,5 x 10 x 160 (H) cm



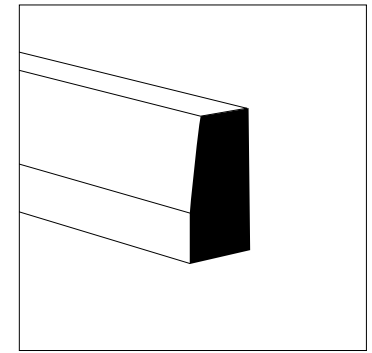
Wood



SKIRTING S
Light oak – 3 x 6 (H) x 240 (L) cm



SKIRTING S
Dark oak – 3 x 6 (H) x 240 (L) cm



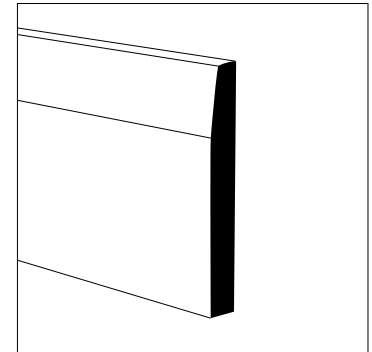
END PIECE S
Black painted metal
3 x 6 (H) x 0,2 (L) cm



SKIRTING L
Light oak – 2,5 x 19,8 (H) x 240 (L) cm

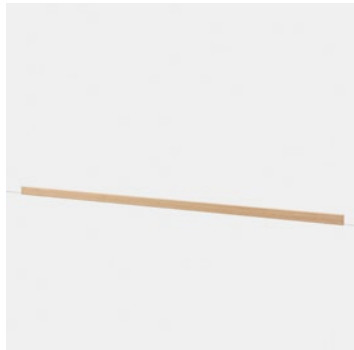


SKIRTING L
Dark oak – 2,5 x 19,8 (H) x 240 (L) cm

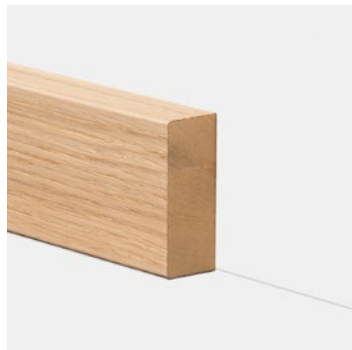


END PIECE L
Black painted metal
2,5 x 19,8 (H) x 0,2 (L) cm

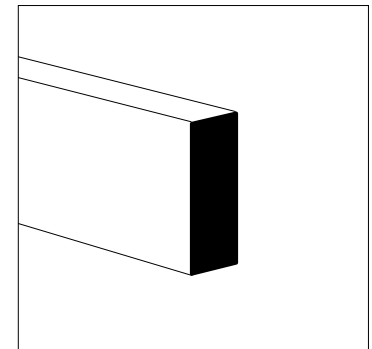
Wood



RECTANGULAR SKIRTING
Light oak – 2,5 x 6 (H) x 240 (L) cm



RECTANGULAR SKIRTING
Dark oak – 2,5 x 6 (H) x 240 (L) cm



END PIECE RECTANGULAR
Black painted metal
2,5 x 6 (H) x 0,2 (L) cm



How to use Wall Panel

